

BeCode Keyless Locking System for eXtreme Plastic Lockers®



BeCode Keyless Locker System

A keyless locking system fully compatible with our eXtreme plastic lockers®.

Offer an innovative, flexible and user friendly alternative to traditional key locking systems.



Benefits and Advantages

- No external power connection required
- Up to 100,000 locking cycles with one battery
- No external programming devices required
- Defines high security standards – 256 Bit Encryption (military standard)
- More than 1 Million user code variations
- More than 10 Billion master code variations

Features and Functionality

- Innovative locking system for eXtreme Plastic Lockers®
- No key required, transponder optional (BeCode Air)
- Variety of operational modes
- High security standard
- Applicable for right/left hand use
- Simple installation
- Leverages 19mm default drilling hole with cam

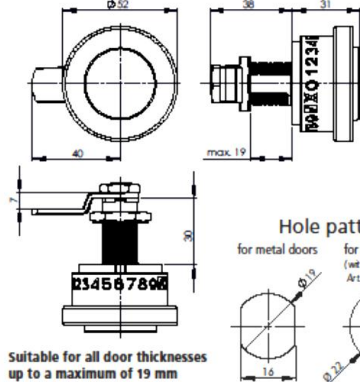
Lock Types

- BeCode Evo+ : More detail on Page 6
- BeCode Evo+ Tan : More detail on Page 7
- BeCode Evo+ Air : More detail on Page 8

BeCode evo+



BeCode evo+
 Base black: RAL 790-M
 Ring silver: RAL 110-M
 Article-No. 7-1-0100

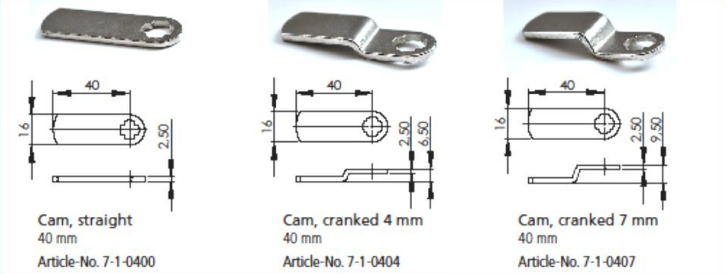


Advantages at a glance:

- with integrated cam lock
- installation possible for metal and for wooden doors
- quick and easy operation/ time savings
- no key or transponder required
- more than 1 million UserCode variations
- more than 10 billion MasterCode variations
- wireless installation
- abort function for incorrect code entry
- no external programming devices needed
- can be used right/left hand



Cams



BeCode Evo+ Overview

- Suitable for use in conjunction with conventional lock systems
- Easy retrofitting –the lock barrel is removed and, the mechanical part remains
- Can be combined with most systems using an adapter
- Electronic lock with an integrated cam
- Quick installation, instantly ready for use



BeCode Evo+ Tan Overview

Upgrade from BeCode Evo+, designed for frequently changing users. The BeLoxx TAN software tool generates the code to open the lock, users do not have to configure their own PIN

- This is a special hardware version of the BeCode, exclusively for the TAN mode
- No connection required
- BeLoxx TAN software can be installed on any Microsoft computers/intranet to allocate or change any lock pins
- High-Level Security (256 Bit Encryption – Military standard)



BeCode Evo+ Air Overview

With all the benefits of Evo+ lock but instead of Pin Code control, this particular lock uses swipe cards to operate.

- Integration with installed RFID(Radio Frequency Identification) systems
- Operated by using transponder cards
- Supports three RFID standards
 - ISO14443, ISO 15693 & Legic RF
- Supports leading RFID vendors
 - Legic, Mifare, HID and Tagit
- 10,000 Opening in single battery life



Ideal for...

- Schools/Universities
- Changing Rooms
- Public Lockers
- Shopping Centres
- Hospitals
- Airport Lounges
- Clean/Hygiene Room
- Offices
- Wet Changing Areas
- Corrosive Environments
- Outdoors
- Gym/Swimming Pools



Sales Contact

For more information, please contact us on:

Email: sales@action-storage.co.uk

Tel (UK): 0800 592215

Tel (Oversea): +44 (0)1908 525700

Fax: +44 (0)1908 321650